

LONDON BOROUGH OF HILLINGDON
THE HILLINGDON (WAITING & LOADING RESTRICTIONS)
ORDER 2023 (AMENDMENT) ORDER 2024
SECTION 23 OF THE ROAD TRAFFIC REGULATION ACT 1984

Hillingdon Council gives notice that it proposes to make this Order to:

1. Extend the existing 'at any time' waiting restrictions at the junction of North Hyde Road and Harold Avenue, Hayes as follows:

- i) Extend the existing double yellow lines in Harold Avenue along side No. 90 North Hyde Road by 2 metres north-eastwards.
- ii) Extend the existing double yellow lines on North Hyde Road outside No. 90 North Hyde Road by 15.7 metres north-westwards.

2. Amend the extent of the zig-zag markings for the existing signalised crossing on North Hyde Road, Hayes southeast of the junction with Harold Avenue to accommodate a dedicated right turn lane into Harold Avenue.

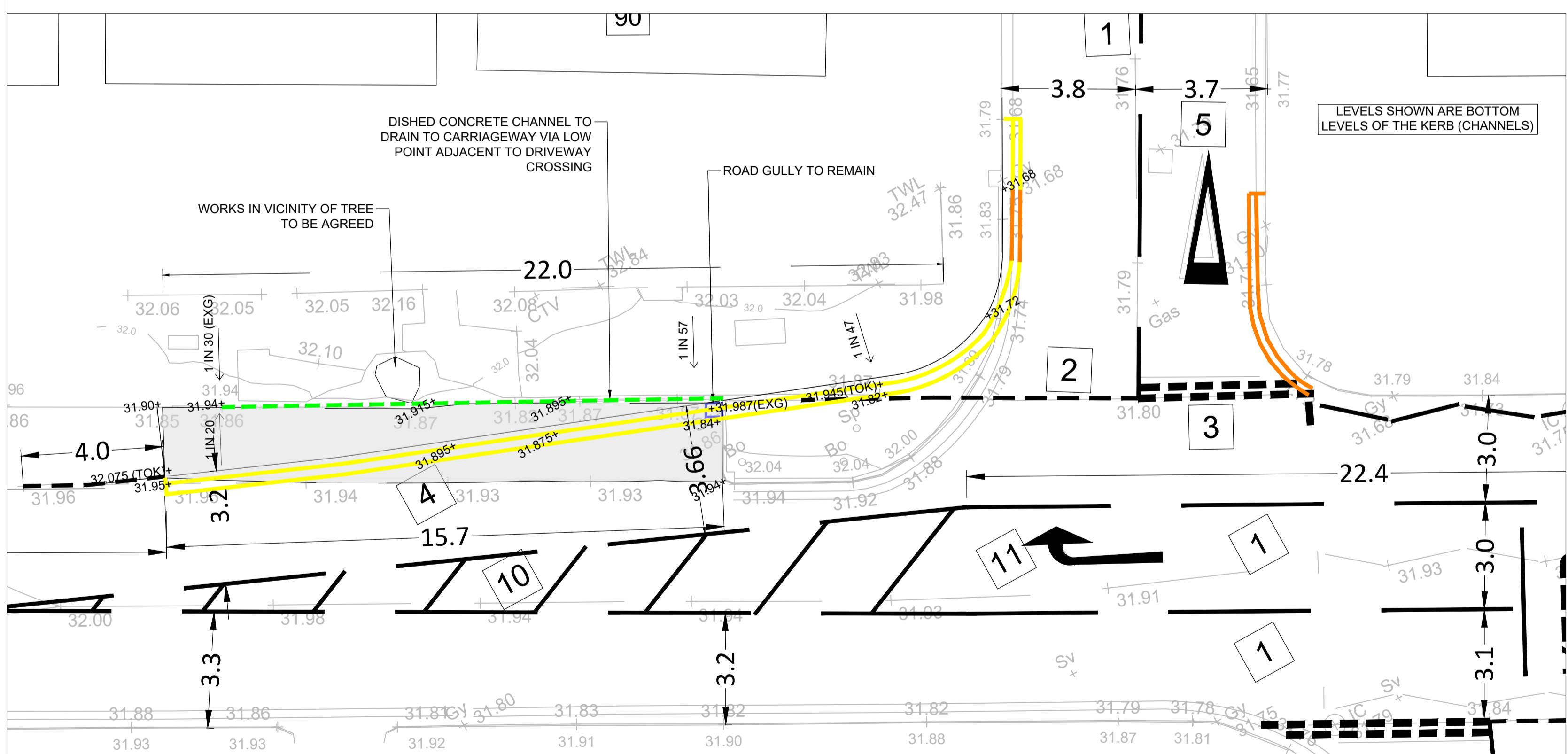
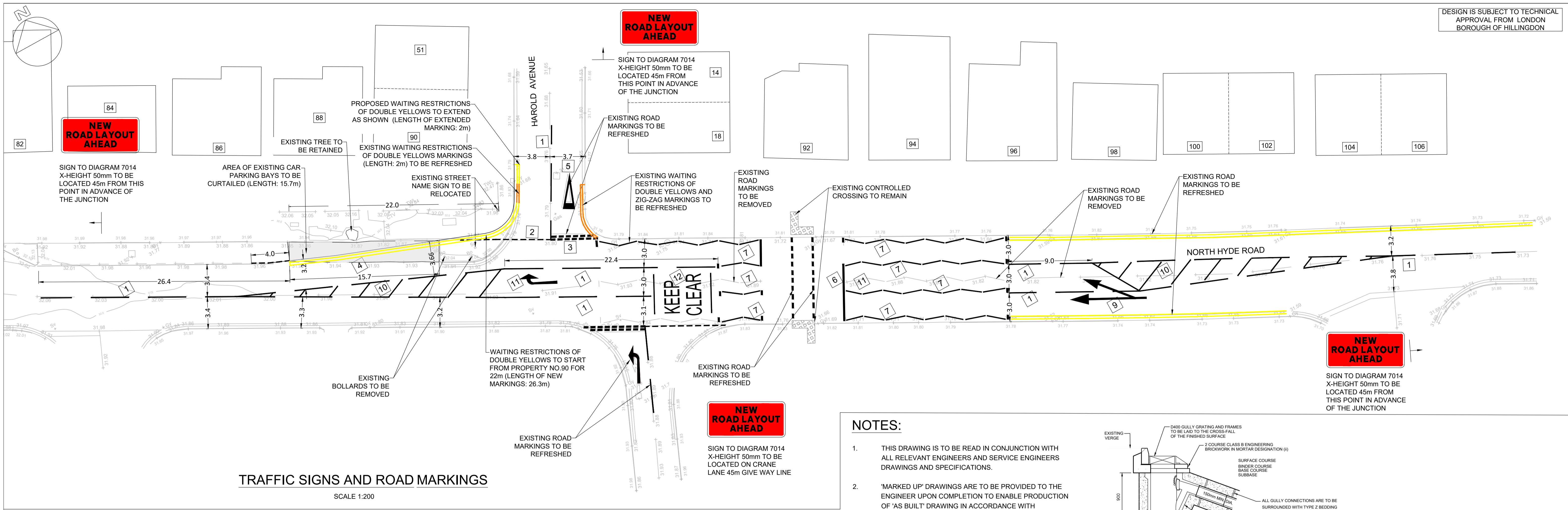
A copy of the notice of proposals, proposed Order together with full details, a plan and the Council's statement of reasons for the proposals can be sent upon request or viewed online at <https://www.hillingdon.gov.uk/improvement-schemes> until 9th October 2024. Further information can be obtained by email parkingmanagementschemes@hillingdon.gov.uk . If you wish to comment on, or object to the proposals please write or email by 9th October 2024, stating grounds for objection and your home address to Transport & Projects, 3N/04 Civic Centre, Uxbridge, Middlesex UB8 1UW quoting reference 3N/04/18/09/24.

Dated this the 18th day of September 2024.

KARRIE WHELAN,
Corporate Director Place

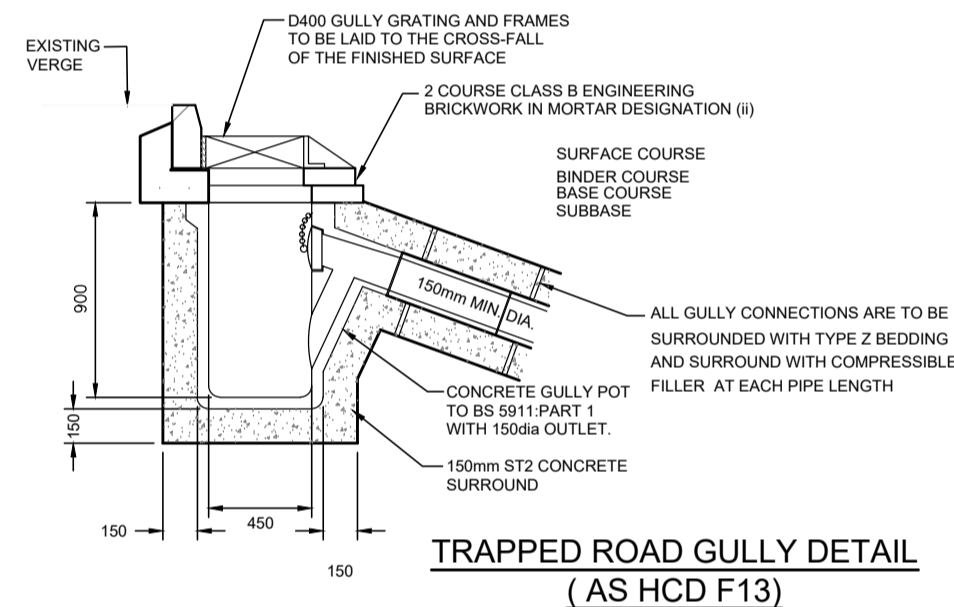
STATEMENT OF REASONS

The proposal is to provide a right turn filter lane to allow for proposed increased number of right and left turning movements from North Hyde Road, Hayes into Harold Avenue and then into Nestle Avenue. In order to achieve this the alignment of North Hyde Road and Harold Avenue needs to be revised.



NOTES:

- THIS DRAWING IS TO BE READ IN CONJUNCTION WITH ALL RELEVANT ENGINEERS AND SERVICE ENGINEERS DRAWINGS AND SPECIFICATIONS.
- 'MARKED UP' DRAWINGS ARE TO BE PROVIDED TO THE ENGINEER UPON COMPLETION TO ENABLE PRODUCTION OF 'AS BUILT' DRAWING IN ACCORDANCE WITH CONSTRUCTION (DESIGN & MANAGEMENT): 2015.
- THE CONTRACTOR SHALL ALLOW FOR THE PROTECTION, TEMPORARY AND PERMANENT SUPPORT AND DIVERSION WORKS AS NECESSARY, TO ALL EXISTING SERVICES TO THE SATISFACTION OF THE PUBLIC UTILITIES.
- THE CONTRACTOR IS TO PROTECT EXISTING BURIED PIPES (PARTICULARLY SHALLOW PIPES) AND TREE ROOTS FROM DAMAGE CAUSED BY LOADS IMPOSED BY CONSTRUCTION.
- ROAD GULLY CONNECTIONS SHALL BE 150mm DIAMETER AND WITH CLASS Z BEDDING.
- ROAD GULLIES SHALL BE TRAPPED 450mm DIAMETER x 900mm DEEP WITH CLASS D400 FRAME AND GRATING TO BS EN 124.
- DO NOT SCALE FROM THE DRAWING.
- ALL DIMENSIONS ARE TO BE CHECKED ON THE SITE BEFORE THE COMMENCEMENT OF WORKS. ANY DISCREPANCIES ARE TO BE REPORTED TO THE ARCHITECT AND ENGINEER FOR VERIFICATION. FIGURED DIMENSIONS ONLY ARE TO BE TAKEN FROM THIS DRAWING.
- ALL TRAFFIC SIGNS AND ROAD MARKINGS TO COMPLY WITH THE TRAFFIC SIGNS AND GENERAL DIRECTIONS 1994 AND CHAPTER 5 OF THE 'TRAFFIC SIGNS MANUAL'.
- THERMOPLASTIC MATERIAL IS TO BE APPLIED BY HAND OR MECHANICAL APPLICATOR.
- THIS DRAWING IS TO BE READ IN CONJUNCTION WITH DRAWINGS FNF-C-SITE-HYD-DR-04-0302, FNF-C-SITE-HYD-DR-04-0305, FNF-C-SITE-HYD-DR-04-0308, FNF-C-SITE-HYD-DR-04-0322.
- OUTLINE OF ADJACENT PROPERTY BUILDINGS SHOWN APPROXIMATELY ONLY FROM MAP IMAGES NOT SURVEY.



KEY:

- 1 CENTRE LINE, 4000mm MARK, 2000mm GAP, 100mm WIDE; TO DIAGRAM 1004
- 2 EDGE OF CARRIAGEWAY MARKING, 600mm MARK, 300mm GAP, 100mm WIDE; TO DIAGRAM 1009
- 3 GIVE WAY MARKING, 600mm MARK, 300mm GAP, 200mm WIDE; TO DIAGRAM 1003
- 4 WAITING RESTRICTION MARKINGS, WIDTH TO MATCH EXISTING, TO DIAGRAM 1018.1
- 5 EXISTING WAITING RESTRICTION MARKINGS
- 6 GIVE WAY APPROACH TRIANGLE TO DIAGRAM 1023 (3750mm IN LENGTH)
- 7 STOP LINE MARKING, 200mm WIDE; TO DIAGRAM 1001
- 8 ZIG-ZAG LINE MARKINGS, 100mm WIDTH, 2000mm HEIGHT, 150mm SPACINGS, 500mm INCLINE. TO DIAGRAM 1001.3
- 9 EDGE OF CARRIAGEWAY MARKING, 1000mm MARK, 1000mm GAP, 100mm WIDE; TO DIAGRAM 1010
- 10 BIFURCATION ARROW, 8000mm MARK, TO DIAGRAM 1039
- 11 HATCHED MARKINGS, 150mm WIDE TO DIAGRAM 1040. BOUNDARY LINE 4000mm MARK, 2000mm GAP
- 12 LANE MARKINGS, 4000mm MARK; TO DIAGRAM 1038
- KEEP CLEAR 12 KEEP CLEAR MARKINGS, 1600mm HIGH; TO DIAGRAM 1026
- DISHED CONCRETE CHANNEL

Rev	Date	Description	By	Ckd
C4	25.06.24	ISSUED FOR CONSTRUCTION AND TRAFFIC MANAGEMENT ORDER	MC	AB
C3	18.12.20	ISSUED FOR CONSTRUCTION	MC	JH
C2	16.12.20	ISSUED FOR CONSTRUCTION	MC	JH
C1	26.11.20	ISSUED FOR CONSTRUCTION	MC	JH
P5	11.11.20	RSA COMMENTS INCORPORATED	MC	JH
P4	15.05.20	ISSUED FOR APPROVAL	MC	JH
P3	02.04.20	ISSUED FOR APPROVAL	MC	JH
P2	24.03.20	ISSUED FOR APPROVAL	MC	JH
P1	18.02.20	ISSUED FOR APPROVAL	JH	AB

Architect:

MAKOWER ARCHITECTS

Hydrock Consultants Ltd
Slythe Valley Innovation Centre
Central Boulevard
Southall
Uxbridge
T: +44 (0)121 506040
www.hydrock.com

Client:

BARRATT LONDON

Project Title:

FORMER NESTLÉ SITE HAYES

Drawing Title:

JUNCTION 3 HAROLD AVENUE/ NORTH HYDE ROAD S278 TRAFFIC SIGNS, ROAD MARKINGS, LEVELS AND DRAINAGE

Drawing Status:

CONSTRUCTION

Hydrock Job No:

C151867

Drawn	Checked	Scale @ A1	Date	Issue Date
CM	JH	AS SHOWN	18.02.20	25.06.24

Drawing Number:

FNF-C-SITE-HYD-DR-04-0305

Revision:

C4



HILLINGDON
LONDON

London Borough of Hillingdon Traffic Management Order

2024 No. XX

The Hillingdon (Waiting & Loading Restrictions) Order 2023 (Amendment No. XX) Order 2024

Made on XXXXXXXXXXXX

Coming into operation XXXXXXXXXXXX

The Council of the London Borough of Hillingdon, after consulting the Commissioner of Police of the Metropolis in exercise of the powers conferred by Section 6 and 124 of and part IV of Schedule 9 to the Road Traffic Regulation Act 1984¹ as amended by Section 8 and Schedule 5 of the Local Government Act 1985², the Road Traffic Act 1991³ and of all other enabling powers hereby make the following Order:-

1. This Order shall come into operation on XXXXXXXXXXXX and may be cited as The Hillingdon (Waiting & Loading Restrictions) Order 2023 (Amendment No. XX) Order 2024.
2. In this Order the expression “enactment” means any enactment, whether public, general or local, and includes any order, bye-law, rule, regulation, scheme or other instrument having effect by virtue of an enactment and any reference in this Order to any enactment shall be construed as a reference to that enactment as amended, applied, consolidated, re-enacted by or as having effect by virtue of any subsequent enactment.
3. Without prejudice to the validity of anything done or to any liability incurred in respect of any act or omission before the coming into operation of this Order, The Hillingdon (Waiting & Loading Restrictions) Order 2023⁴ shall have effect as though the items numbered 79 and 131 in Schedule 1 of that Order were substituted by the items

¹ 1984 c.27

² 1985 c.51

³ 1991 c.40

⁴ 2023 No. 19

numbered the same as set out in columns 1, 2 and 3 of Schedule 1 of this Order.

Dated this the XX day of XXXXXXXXXXXX

KARRIE WHELAN,
Corporate Director Place

SCHEDULE 1

1	2	3
79	HAROLD AVENUE, HAYES	
	<p>a) Both sides, i) from a point in line with the southwestern kerbline of Nestles Avenue, southwestwards for a distance of 15 metres.</p> <p>b) The south-east side, i) from a point in line with the northeastern kerbline of North Hyde Road, northeastwards for a distance of 10 metres. ii) from a point 10 metres northeast of the northeastern kerbline of North Hyde Road, to a point 15 metres southwest of the southwestern kerbline of Nestles Avenue.</p> <p>c) The northwest side, i) from a point in line with the northeastern kerbline of North Hyde Road, northeastwards for a distance of 12 metres. ii) from a point 10 metres northeast of the northeastern kerbline of North Hyde Road, northeastwards for a distance of 9 metres.</p>	<p>A</p> <p>A</p> <p>C</p> <p>A</p> <p>C</p>
131	NORTH HYDE ROAD, HAYES	
	<p>a) The north-east side, i) between its junction with Dawley Road and a point 10.0 metres northwest of the western kerbline of Albert Road; ii) from a point 10.0 metres northwest of the western kerbline of Albert Road to its junction with Station Road; iii) between the south-eastern kerbline of Station Road and a point 50 metres south-east of the party wall of Nos. 34 and 36 North Hyde Road; iv) between a point 12 metres north-west of the south-eastern flank wall of Nos. 31 –41 Black Rod Close and a point in line with north-western flank wall of No 84 North Hyde Road, excluding the lay-by fronting Nos. 66 to 71 North Hyde Road; v) from a point 22 metres northwest of the southeastern boundary of No. 90 North Hyde Road, southeastwards to a point in line with the common boundary of Nos. 132 and 134 North Hyde Road. vi) between a point in line with the party wall of Nos. 148 and 150 North Hyde Road and the borough boundary with the London Borough of Hounslow;</p> <p>b) The south-west and south sides i) between its junction with Dawley Road and a point 27.43 metres northwest of the northwestern kerbline of Station Road; ii) between a point 27.43 metres north-west of the north-western kerbline of Station Road and a point 6 metres north-west of the party wall of Nos.61 and 63 North Hyde Road; iii) between a point 16 metres north-west of the north-western kerbline of Newhaven Close and a point 17 metres</p>	<p>BB</p> <p>A</p> <p>A</p> <p>A</p> <p>A</p> <p>A</p> <p>BB</p> <p>A</p> <p>A</p>

	<p>south-east of the south-eastern kerblines of Cranford Park Road;</p> <p>iv) between a point in line with the party wall of Nos. 119 and 121 North Hyde Road and a point 26.1 metres west of the common boundary of Nos. 151 and 153 North Hyde Road.</p> <p>v) from a point 26.1 metres west of the common boundary of Nos. 151 and 153 North Hyde Road, to a point 18.8 metres east of the common boundary of Nos. 165 and 167 North Hyde Road.</p> <p>vi) from a point 18.8 metres east of the common boundary of Nos. 165 and 167 North Hyde Road, eastwards to a point in line with the borough boundary with the London Borough of Hounslow.</p>	<p>A</p> <p>C</p> <p>A</p>
--	--	----------------------------

KEY

A = 'At any time' waiting restrictions.

BB = 'Monday to Friday 7am to 7pm' waiting restrictions.

C = 'Monday to Saturday 8am to 6.30pm' waiting restrictions.